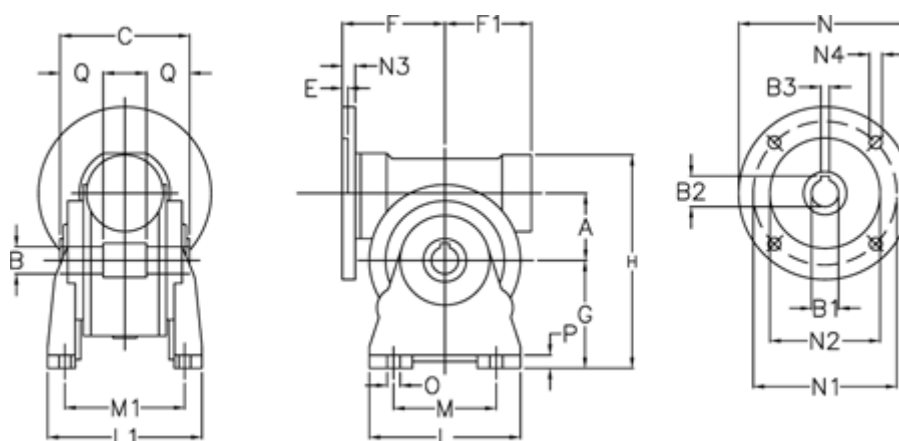


Article number: 3902150056250

Description: Worm gear
VF 150-A-56-132B5, without lubrication

Measures



A	= 150	F1	= 179	N1	= 265
B	= 50 H7	G	= 220	N2	= 230
B1 E7	= 38	H	= 400	N3	= 16
B2	= 41.3	L	= 330	N4	= 13
B3 H9	= 10	L1	= 260	O	= 18
C	= 175	M	= 240	P	= 20
E	= 2	M1	= 211	Q	= 55
F	= 190	N	= 300		